



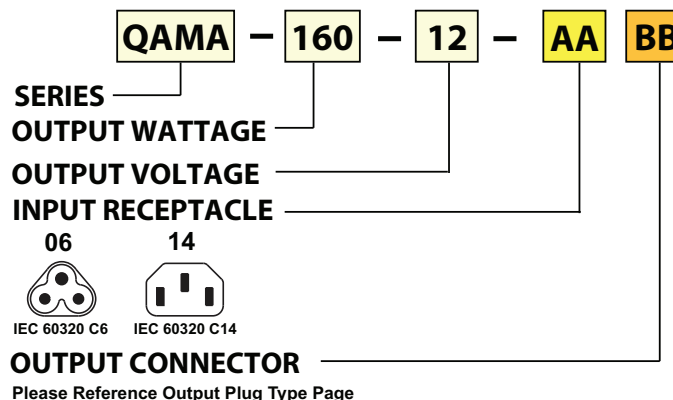
Features:

- Universal AC input/ Full Range
- Energy Efficiency Level V
- ErP Step 2 Compliant
- ANSI/AAMI/IEC/EN ES60601-1:2005 (60601 3rd Edition)
- Output Protections: OVP/SCP/OC/OTP
- No Load Power Consumption <0.5W
- 2 Year Warranty

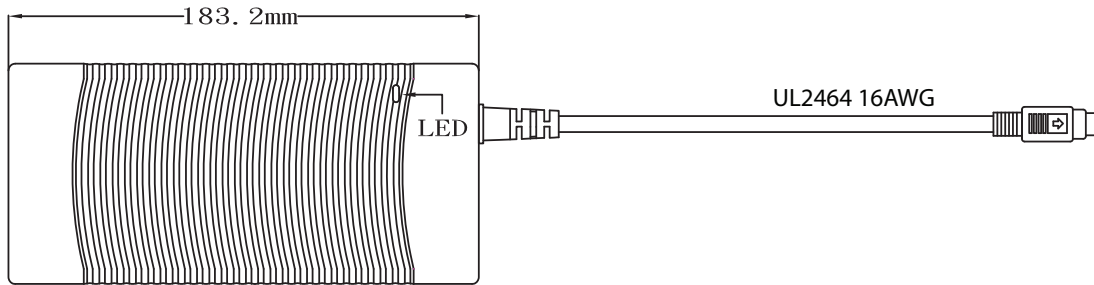


Model	QAMA-160-12	QAMA-160-19	QAMA-160-24	QAMA-160-48
Output Characteristics				
DC Output	12V	19V	24V	48V
Rated Current	12.50A	8.40A	6.60A	3.30A
Ripple and Noise	±2% Vo @ Rated Load			
Load Regulation (Typ.)	±5%			
Transient Response (Typ.)	0.5mS for 50% Load Change			
Hold-up Time (Typ.)	10mS @ Rated Load			
Output Protection	Short Circuit, Over Voltage, Over Current, Over Temp			
Ferrite Core	No			
Input Characteristics				
Voltage Range	100VAC~240VAC			
Frequency Range	50Hz-60Hz			
Efficiency	Energy Star Level V, ErP Step 2			
AC Current (max)	1.8A			
Input Protection	Internal Primary Current Fuse			
Leakage Current	0.5mA			
Environmental Characteristics				
Operating Temperature	0°C~40°C			
Operating Relative Humidity	20% RH to 80% RH			
Storage Temperature	-20°C~80°C, 10% RH to 90% RH			
Topology	LLC			
Dielectric Withstand	4000VAC Primary-Secondary			
EMI Conduction & Radiation	Compliance to EN55011 Class B			
Harmonic Current	Compliance to EN61000-3-2			
EMS Immunity	IEC60601-1-2			
Characteristics				
MTBF	300,000Hrs (25°C, Telecordia SR-332)			
Dimension (LxWxH)	183x81x42mm			
Weight	680g			

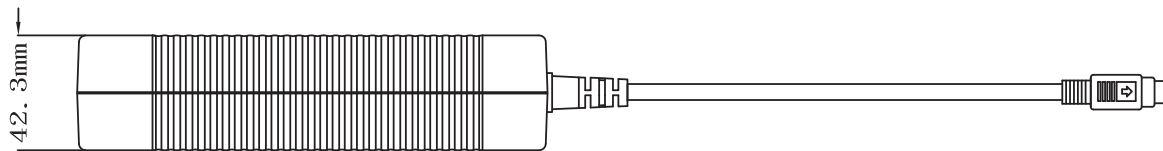
PART NUMBER SYSTEM



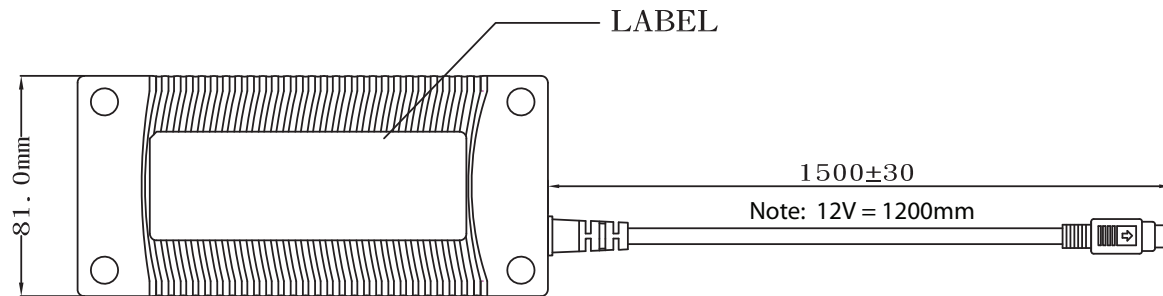
MECHANICAL SPECIFICATIONS



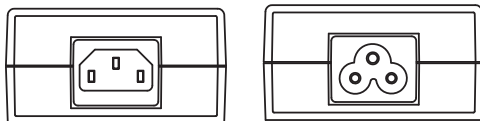
TOP-VIEW



SIDE-VIEW

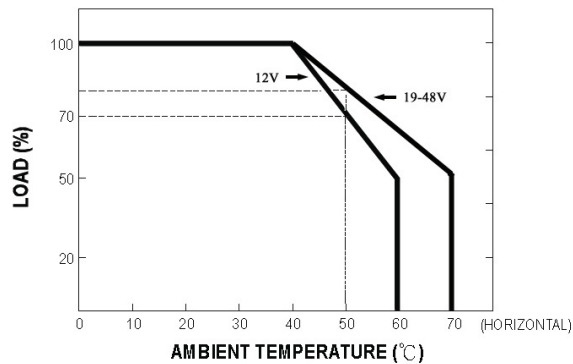


BOTTOM-VIEW



FRONT-VIEW

DERATING CURVE



UNIT: mm